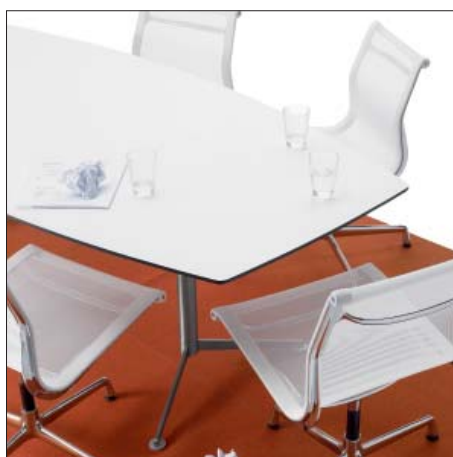


PAUSTIAN SPINAL TABLE

A table series that can meet any need, irrespective of the required size, form or application.

The light, column construction gives the slim table top a floating appearance, and liberates users from bothersome table legs.

Choose between four different varieties of table tops, three frame heights, and several surface possibilities.



PAUSTIAN SPINAL TABLE

DESIGN

Paul Leroy, 2005

DESCRIPTION

The Spinal tables possess a simple modular structure. The many different table sizes and heights provide good and flexible arrangement possibilities. The table is ideal as a conference, canteen, meeting or office table, or as a dining table or coffee table in the home.

MATERIALS

The table top is a 25 mm MDF panel, available with laminate, linoleum or lacquered veneer top.

The table top support is always in black-painted steel.

The frame is supplied in matt chrome steel with integrated adjustable feet. Besides matt chrome steel the columns are available with powder lacquer black (RAL 9011 gloss 20) or powder lacquer white (RAL 9010 gloss 20).

VARIANTS

The Spinal table is available in the following variants:

- white laminate with black edges
- white dyed laminate with white edges
- black linoleum with black edges
- maple veneer
- oak veneer

Other surfaces may be specially ordered.

Table tops: circular, boat-shaped, square or rectangular.

The table is available in three alternate heights (coffee table, dining/canteen table, or standing height).

paustian



PAUSTIAN SPINAL TABLE

DIMENSIONS

Table top thickness 25 mm, with bevelled edge.

Circular

Diameters: Ø60, Ø70, Ø80, Ø90, Ø110, Ø120, Ø140, Ø180 (two leaves), Ø220 (two leaves)

Heights: 45 cm, 72 cm, 105 cm

Boat-shaped

Lengths: 150 cm, 180 cm, 200 cm, 240 cm, 320 cm (two leaves), 400 cm (two leaves), 520 cm (three leaves)

Depths: 85 cm, 90 cm, 110 cm, 120 cm

Heights: 45cm, 72 cm, 105 cm

Square

Length: 90 cm

Depth: 90 cm

Heights: 45 cm, 72 cm, 105 cm

Rectangular

Lengths: 140 cm, 180 cm, 200 cm, 220 cm, 320 cm (two leaves), 380 cm (two leaves)

Depths: 75 cm, 90 cm, 110 cm, 120 cm

Heights: 45 cm, 72 cm, 105 cm

MAINTENANCE

The chrome frame may be wiped with a dry or damp cloth. If a damp cloth is used, the frame should subsequently be dried with a dry cloth.

Stubborn stains on the table top may be removed using a cloth wrung in lukewarm water. If this fails to remove the stain, a universal cleaning fluid in a light solution may be used, or washing-up liquid.

After cleaning, the table top should be wiped off with a cloth wrung in clean water, then dried with a dry cloth.

ENVIRONMENT AND TESTS

The frame may be separated from the table top and recycled. The table top can be sent for incineration.

The table has been tested according to EN 1730; DS/INF 131:2001, test step 4.

GUARANTEE

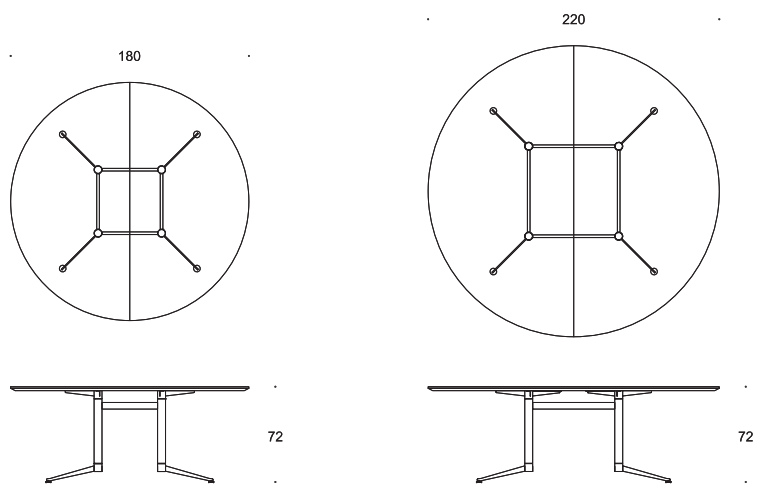
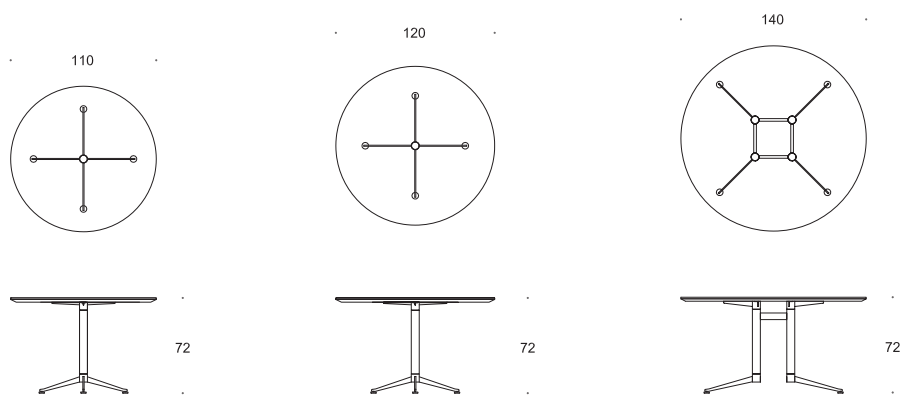
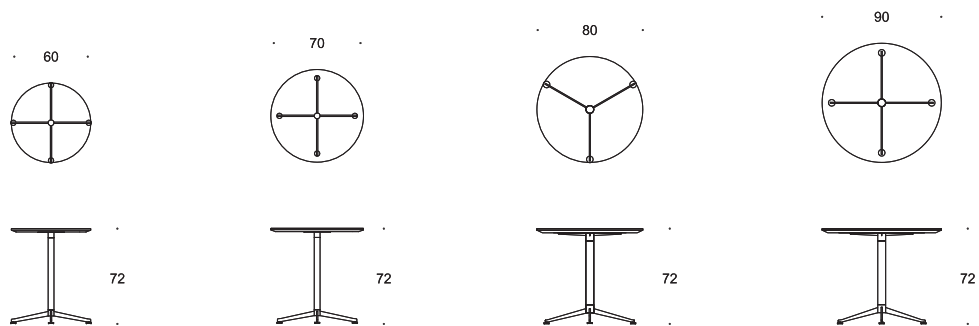
Standard products are guaranteed for two years against manufacturing defects in the materials or construction. Wear or damages to the product are not covered by this guarantee. All dimensions are approximate.

paustian



PAUSTIAN SPINAL TABLE

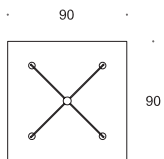
Circular



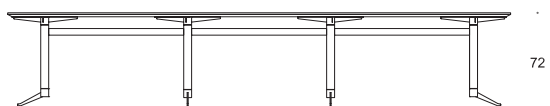
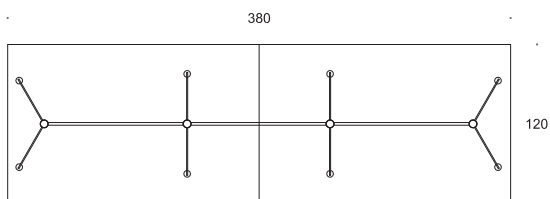
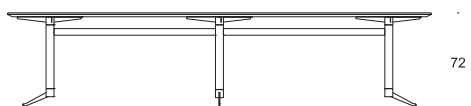
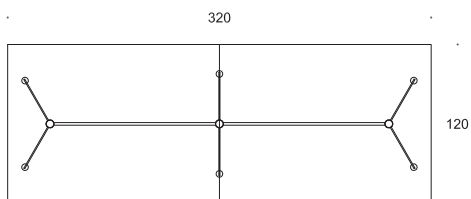
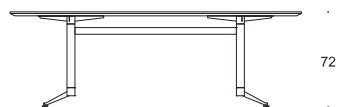
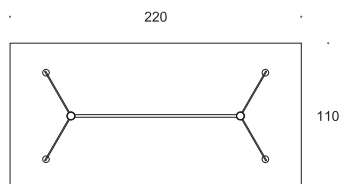
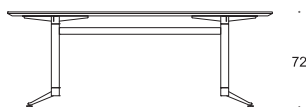
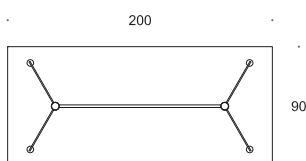
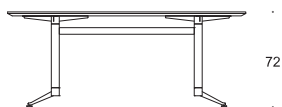
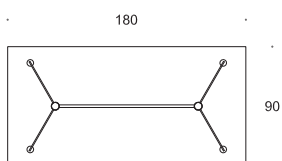
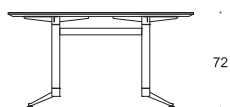
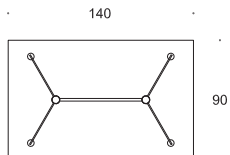
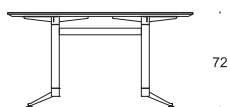
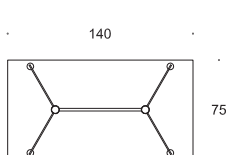
paustian

PAUSTIAN SPINAL TABLE

Square



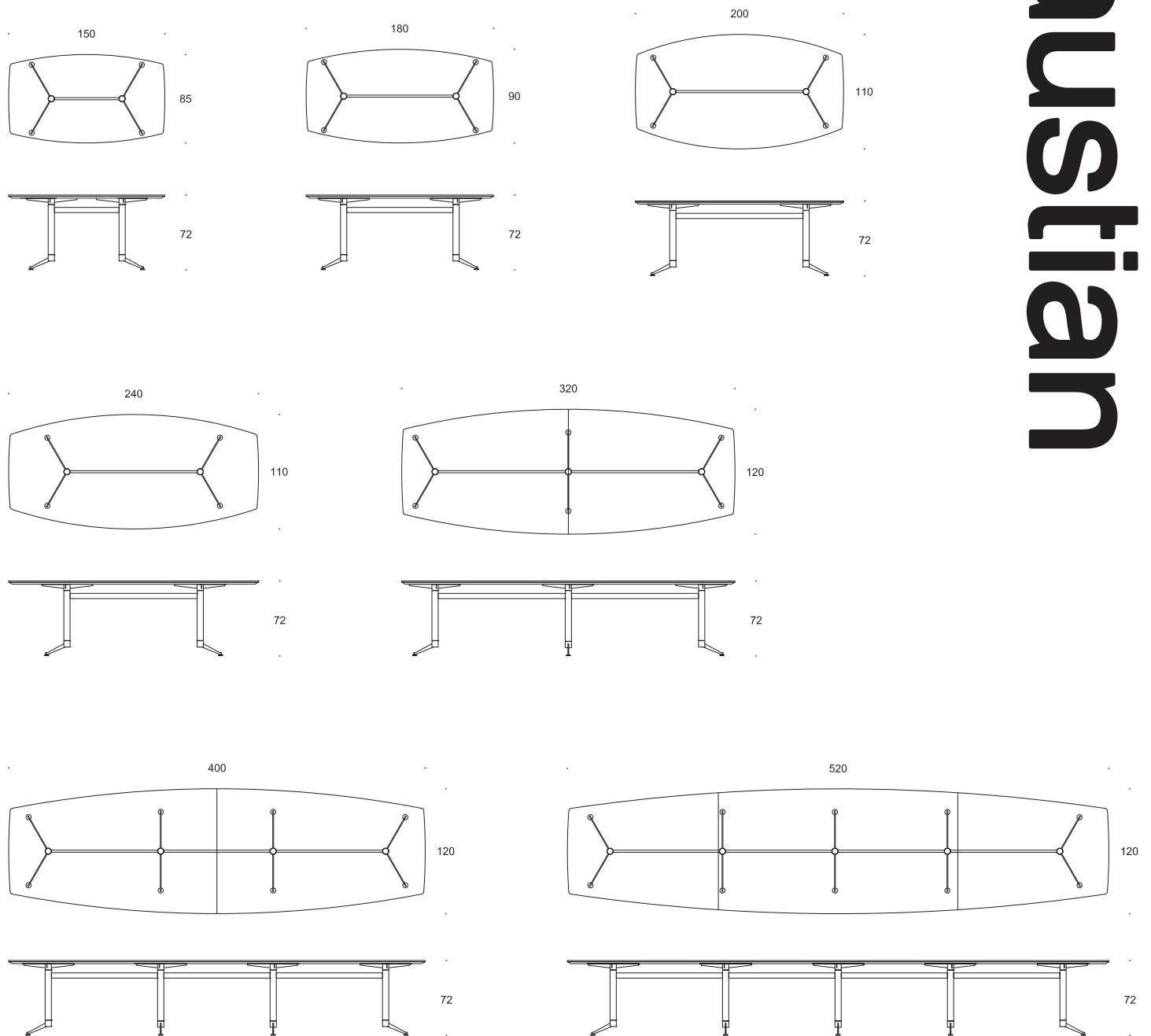
Rektangulær



Paustian

PAUSTIAN SPINAL TABLE

Boat-shaped



Paustian